

## 6" Loudspeaker

- **High Sensitivity**
- **Compact - Light Weight**
- **NO Stray Magnetic Fields**

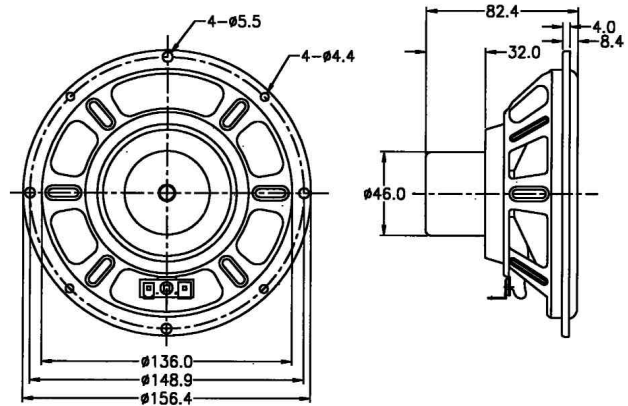
Nominal Diameter (Ø)	6 inches (156.4 mm)
Nominal Impedance (Z)	8 Ohms
Sensitivity, 1W/1m (E)	91 dB
Power Capacity, RMS (Pe)	50 W
Power Capacity, Peak	100 W
Frequency Range (-10dB)	Fo - 5.5 kHz
Minimum Impedance	8 Ohms
Voice Coil Diameter (Ø)	25.5 mm
Voice Coil Winding Length (h)	11.3 mm
Voice Coil Number of Layers (n)	2
Voice Coil Former Material	Kapton
Voice Coil Wire Composition	Copper
Motor Reference	N255-C08-127C
Magnetic Material	Neodymium radial
Stray Flux Shielding	Inherent
Magnetic Gap Depth (He)	12.7 mm
Cone Material	Paper
Surround Material	Foam
Polarity, Outward Motion	Positive voltage on (+) tab
Net Weight	0.484 kg

### Thiele / Small Parameters

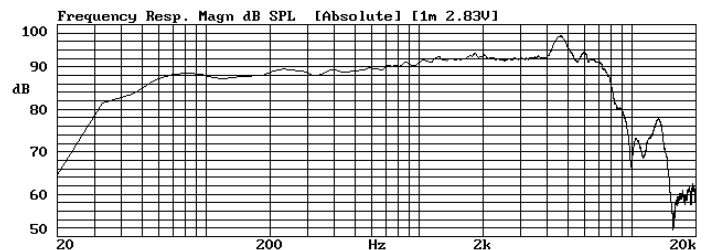
Resonant Frequency (Fo) - Fs	55 Hertz
Voice Coil DC Resistance - Re	6 Ohms
Total Q - Qts	0.55
Mechanical Q - Qms	10.8
Electrical Q - Qes	0.58
Equivalent Volume of Air - Vas	16.48 L
Radiating Piston Area - Sd	126.0 cm <sup>2</sup>

### Electrical / Mechanical Parameters

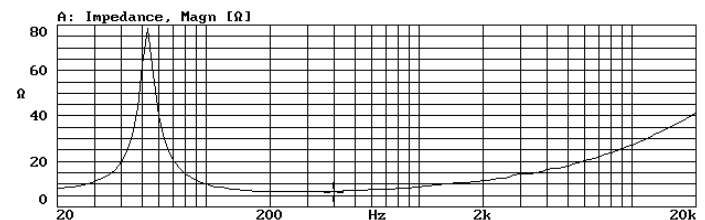
Flux Density x Length - BL	6.10 Tesla-meters
Compliance - Cms	900 µm/N
Total Mass - Mms	9.30 grams



### Frequency Response (1W, 1m)



### Impedance



### Distortion (1W, 1m)

