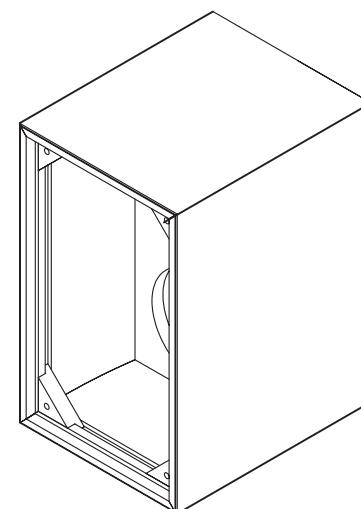
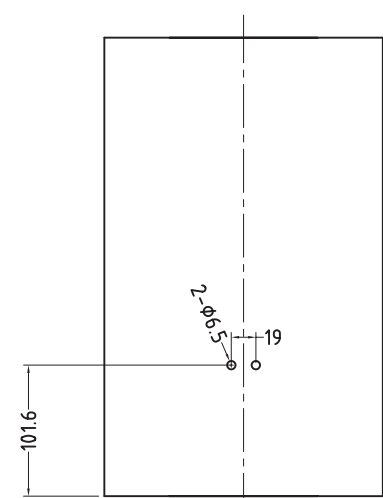
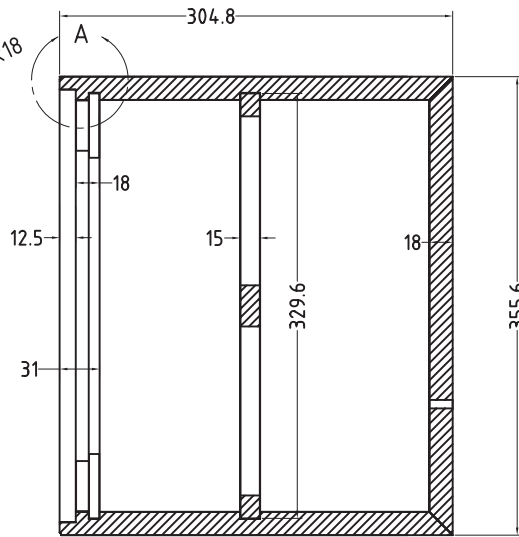
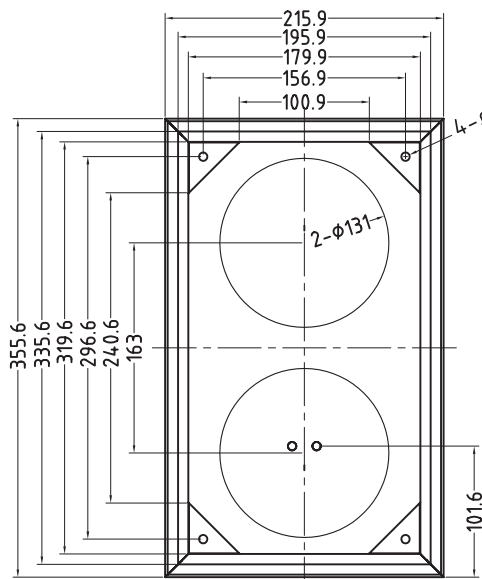


A section



Note:

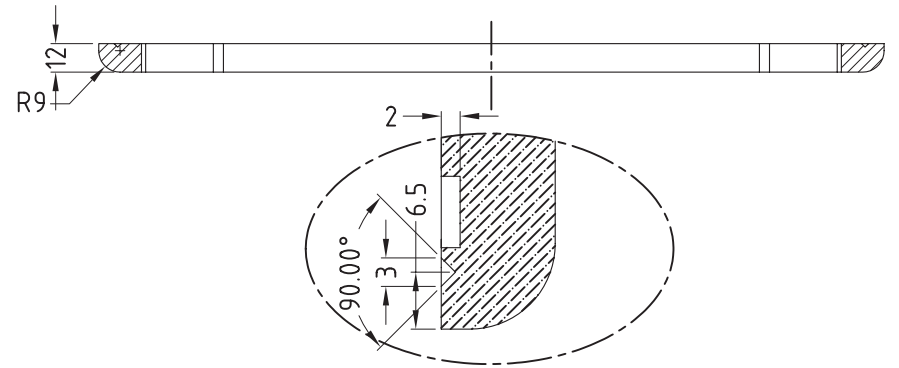
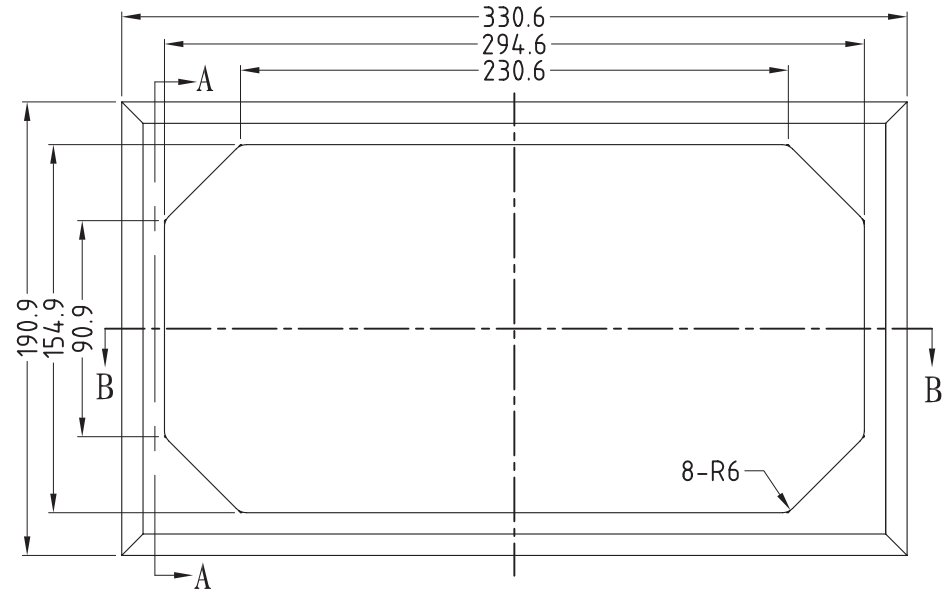
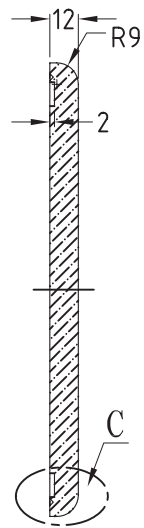
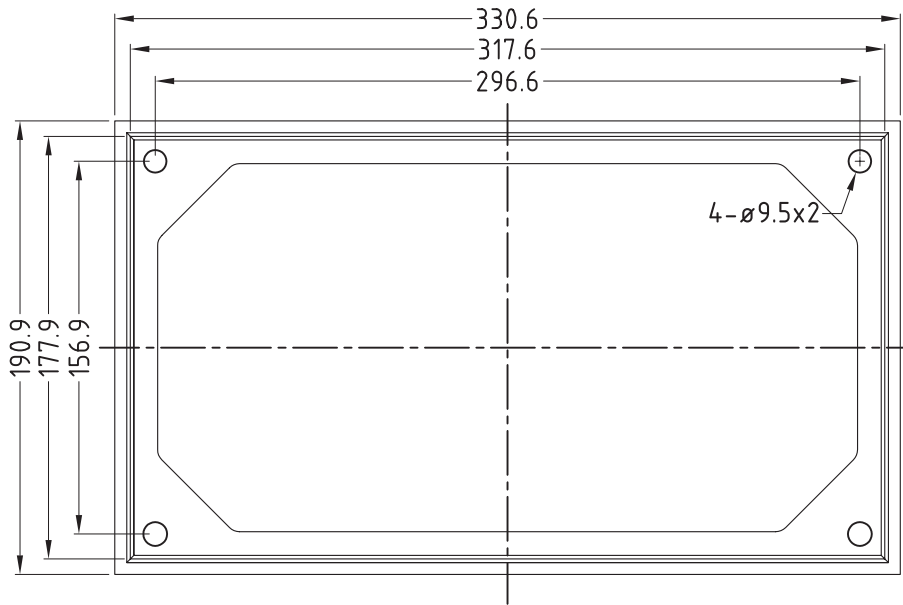
1. Net internal volume 14 liters (0.494 ft<sup>3</sup>)
2. Brace is made of 15mm MDF, the rest 18mm MDF
3. Tolerance is ±0.2mm
4. Available in high gloss black (BK), cherry veneer (CH), and maple veneer (MA)
5. Replacement baffles and grills also available



© Dayton Audio® 2008

RevNo	Revision note	Date	Signature	Checked	Approved	Designed by	Checked by	Approved by	Date	Scale	Edition
1:						AH	BKM	KK	2/2008	None	A
2:							Model: TW-0.50				Unit mm
3:					Name: .50 ft <sup>3</sup> Cabinet				Sheet 1 of 3		
4:											





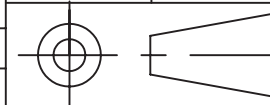
Note:

1. Speaker frame is made of 12mm MDF
2. Frame surface treatment - semi-black lacquer
3. Covered in black speaker cloth
4. Neodymium magnet grill fasteners
5. Magnets line up with screws on baffle
6. Tolerance is  $\pm 0.2\text{mm}$



© Dayton Audio® 2008

RevNo	Revision note	Date	Signature	Checked	Approved	Designed by	Checked by	Approved by	Date	Scale	Edition
1:						AH	BKM	KK	2/2008	None	A
2:											
3:											
4:											



Model: MG50  
 Name: Grill for .50 ft<sup>3</sup> Cabinet  
 Unit: mm  
 Sheet: 3 of 3