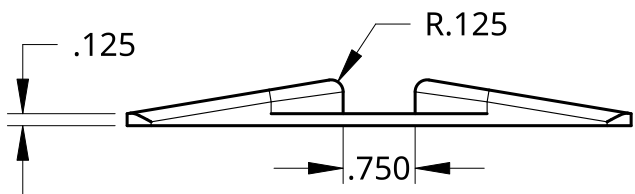
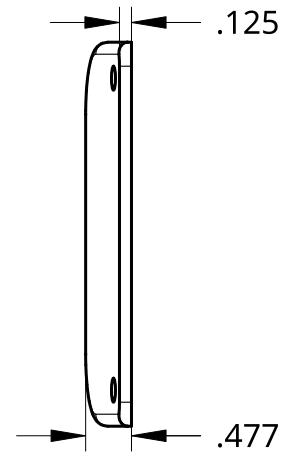
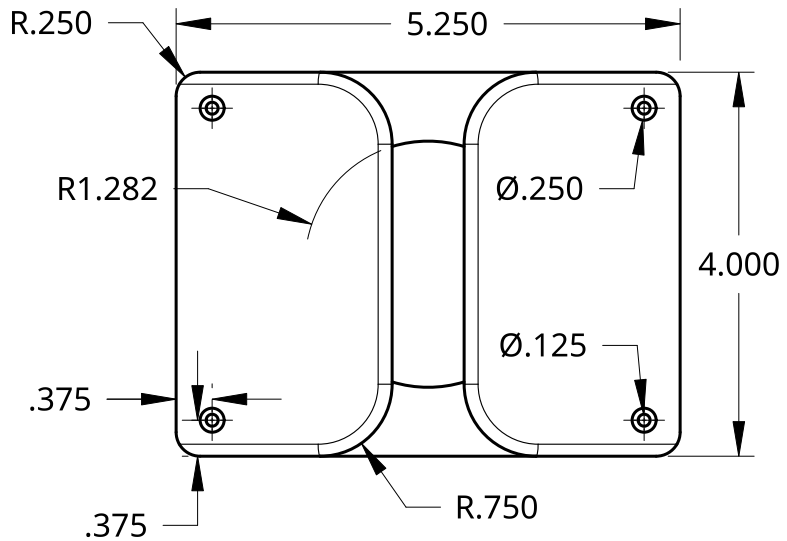


2

1



UNLESS OTHERWISE SPECIFIED, DIMENSIONS ARE IN INCHES .XX = ±.0- .XXX = ±.00- .XXXX = ±.000-		NAME	DATE		
ANGULAR = ± ° FRACTIONAL = ±		DRAWN	SilverD	1/9/2024	
SURFACE FINISH		CHECKED			TITLE
DO NOT SCALE DRAWING		APPROVED			CP21/F waveguide
BREAK ALL SHARP EDGES AND REMOVE BURRS					SIZE
THIRD ANGLE PROJECTION		MATERIAL	FINISH		DWG NO.
					REV.
					SCALE
					WEIGHT
					SHEET
					1 of 1

2

1

B

B

A

A