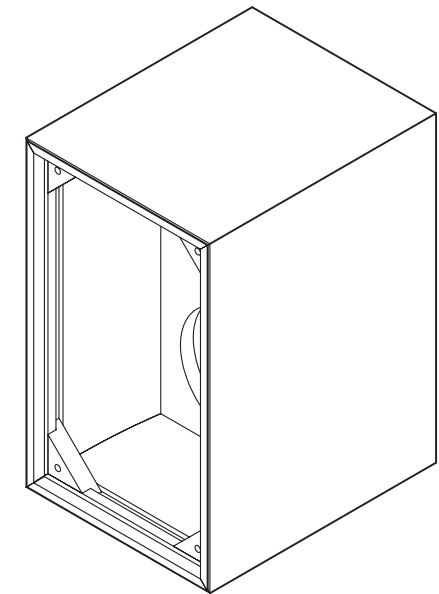
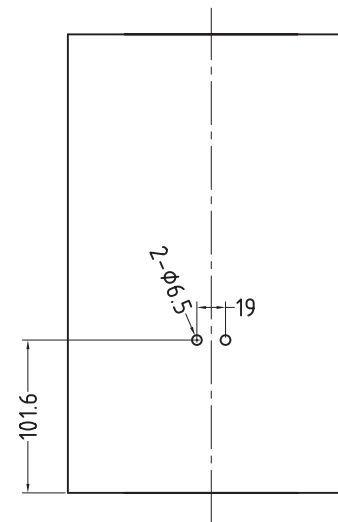
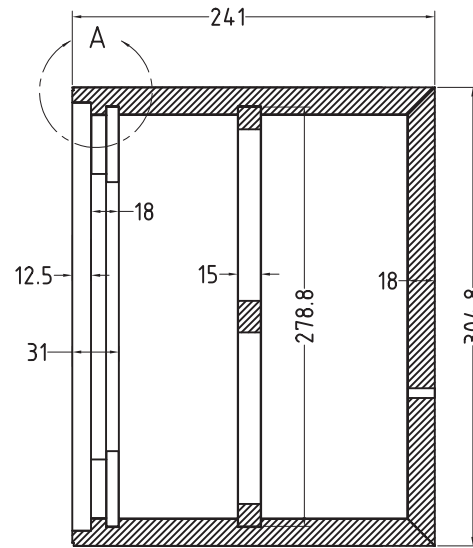
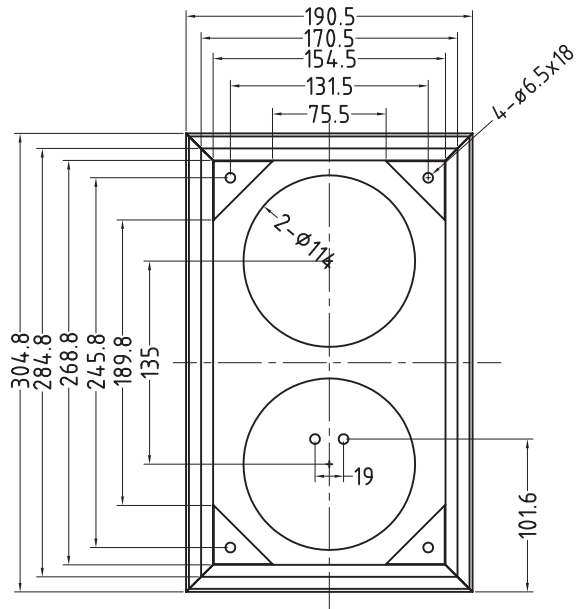


A section



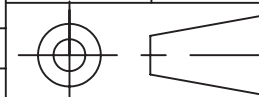
Note:

1. Net internal volume 8 liters (0.281 ft³)
2. Brace is made of 15mm MDF, the rest 18mm MDF
3. Tolerance is $\pm 0.2\text{mm}$
4. Available in high gloss black (BK), cherry veneer (CH), and maple veneer (MA)
5. Replacement baffles and grills also available



© Dayton Audio® 2008

RevNo	Revision note	Date	Signature	Checked	Approved	Designed by	Checked by	Approved by	Date	Scale	Edition
1:						AH	BKM	KK	2/2008	None	A
2:											
3:											
4:											

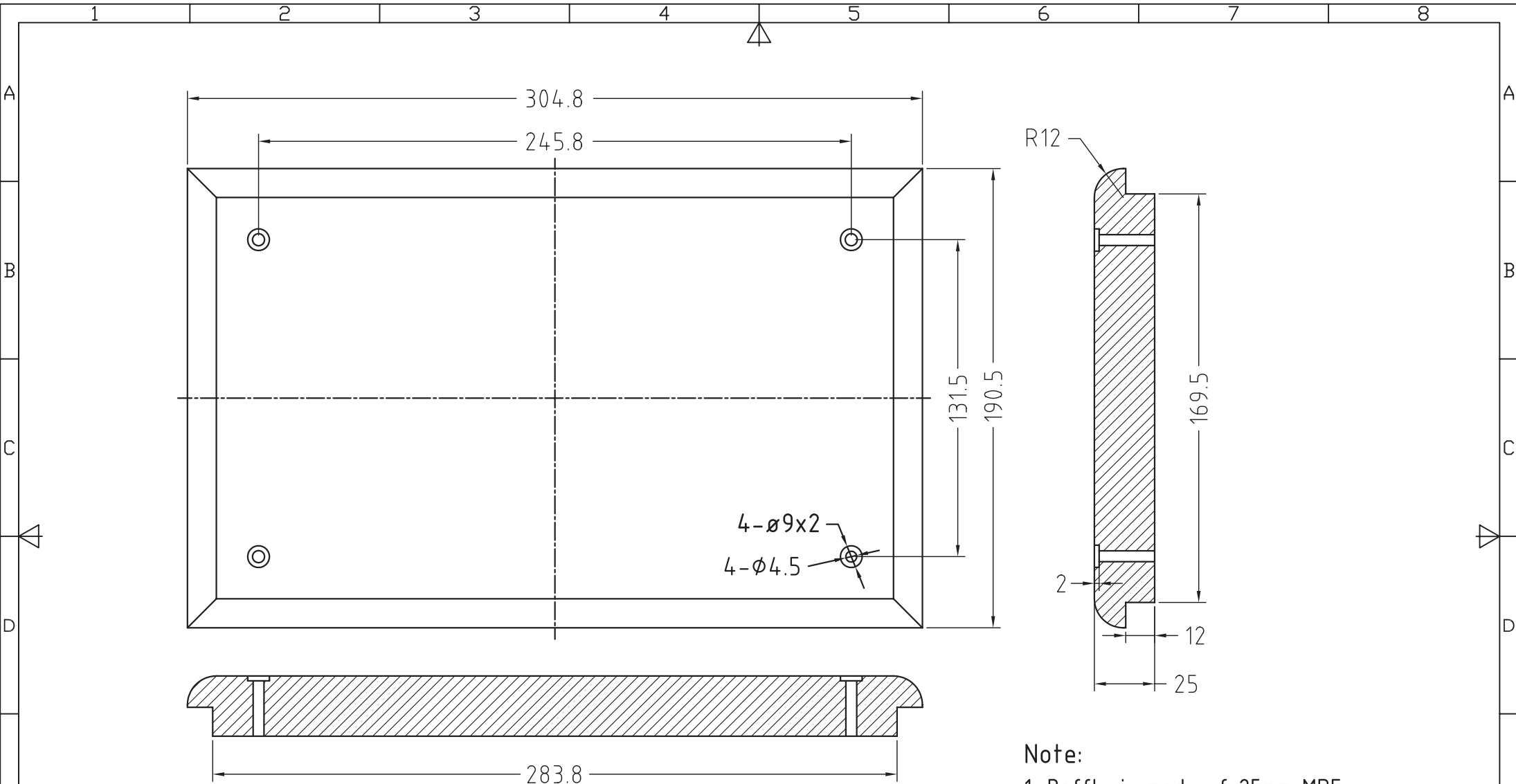


Model: TW-0.25

Name: .25 ft³ Cabinet

Unit
mm

Sheet
1 of 3



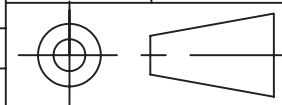
Note:

1. Baffle is made of 25mm MDF
2. Surface treatment - semi-black lacquer
3. Tolerance is $\pm 0.2\text{mm}$

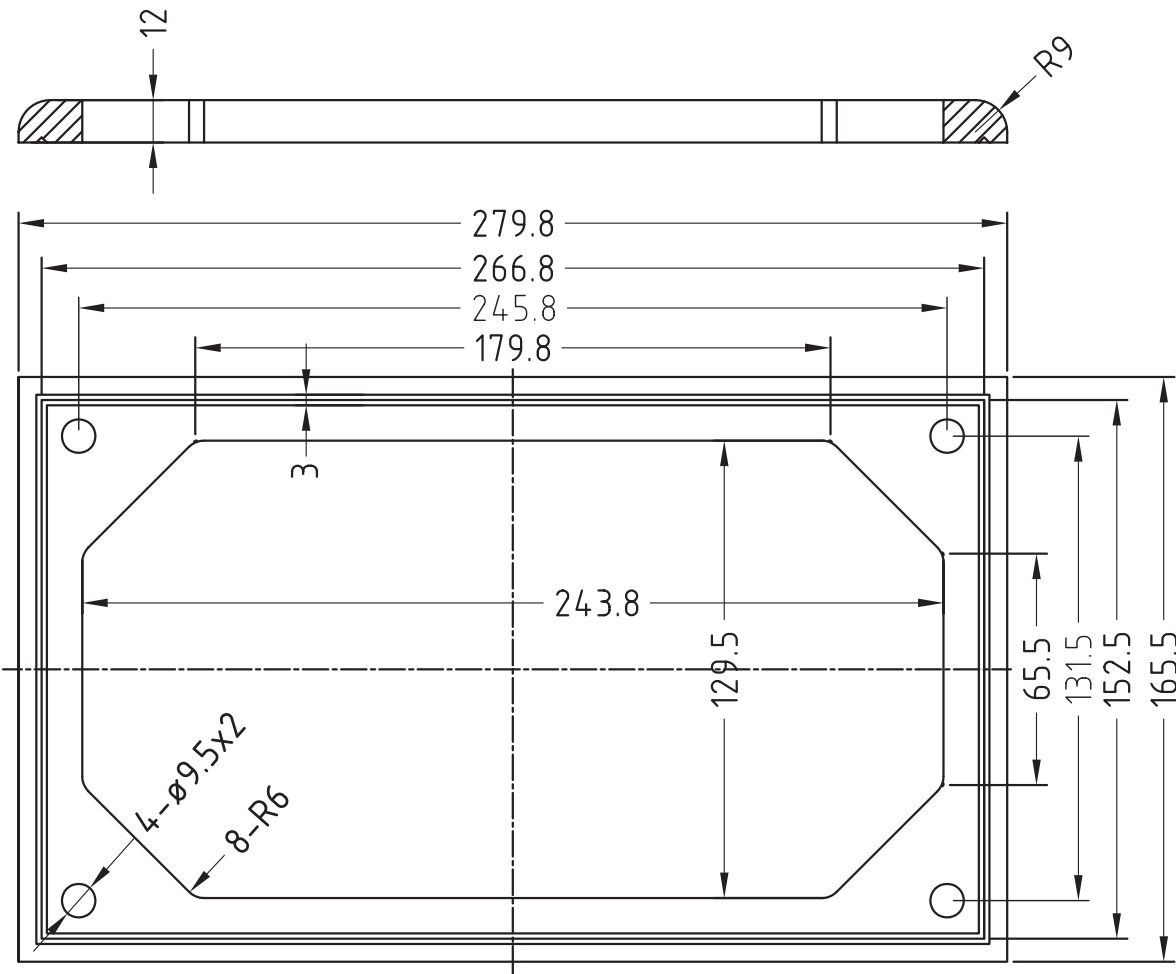


© Dayton Audio® 2008

RevNo	Revision note	Date	Signature	Checked	Approved	Designed by	Checked by	Approved by	Date	Scale	Edition
1:						AH	BKM	KK	2/2008	None	A
2:											
3:											
4:											

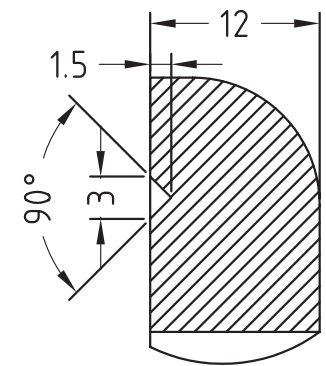
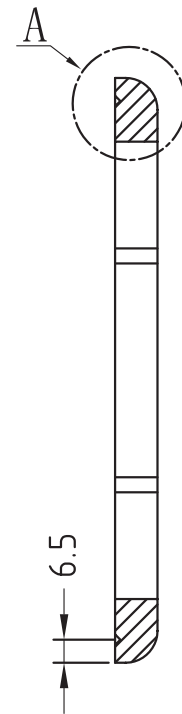


Model: MB25
Name: Baffle for .25 ft³ Cabinet
Unit: mm
Sheet: 2 of 3



Note:

1. Speaker frame is made of 12mm MDF
2. Frame surface treatment - semi-black lacquer
3. Covered in black speaker cloth
4. Neodymium magnet grill fasteners
5. Magnets line up with screws on baffle
6. Tolerance is $\pm 0.2\text{mm}$



A section



© Dayton Audio® 2008

RevNo	Revision note	Date	Signature	Checked	Approved	Designed by	Checked by	Approved by	Date	Scale	Edition
1:						AH	BKM	KK	2/2008	None	A
2:											
3:											
4:											
								Model: MG25		Unit mm	
								Name: Grill for .25 ft ³ Cabinet		Sheet 3 of 3	