

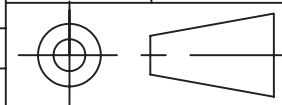
**Note:**

1. Baffle is made of 25mm MDF
2. Surface treatment - semi-black lacquer
3. Tolerance is  $\pm 0.2\text{mm}$

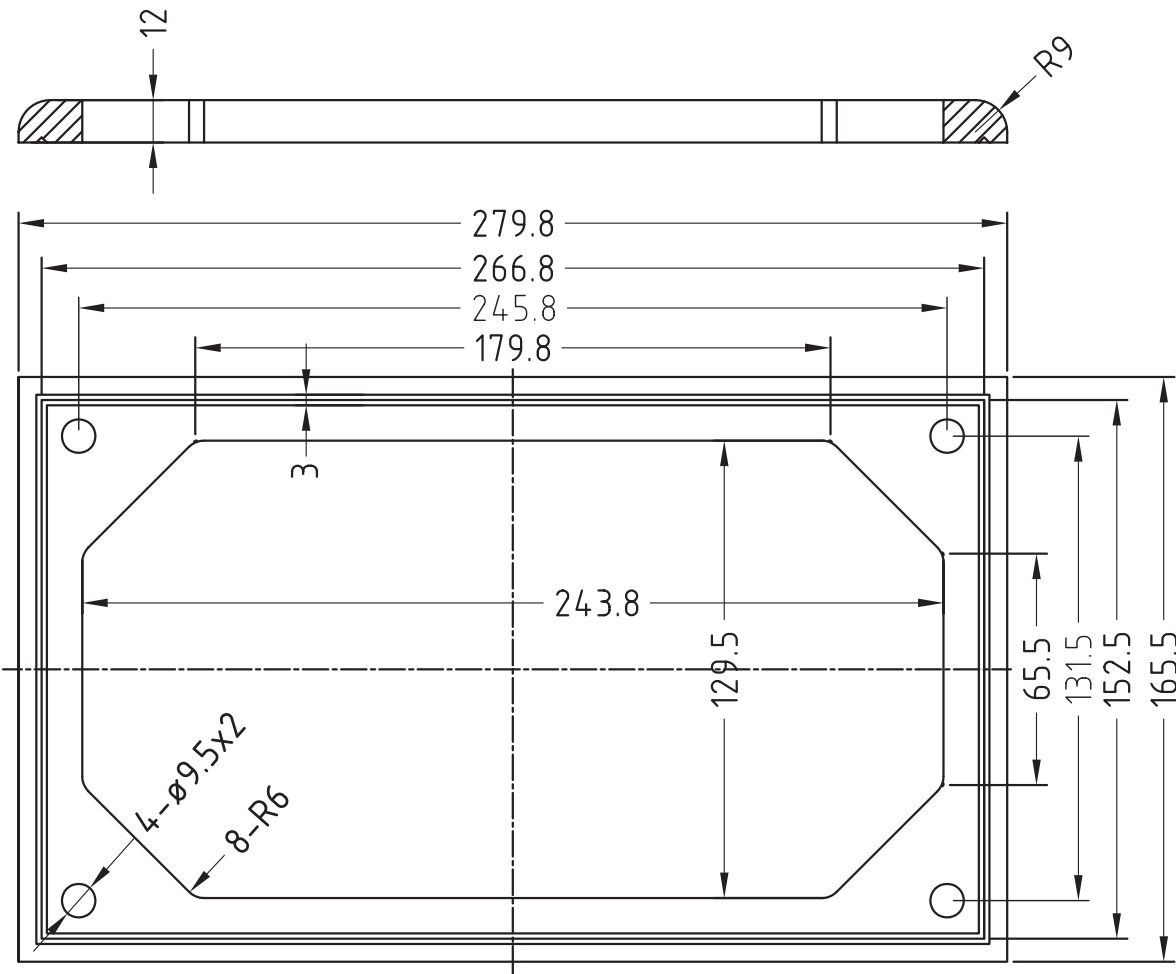


© Dayton Audio® 2008

RevNo	Revision note	Date	Signature	Checked	Approved	Designed by	Checked by	Approved by	Date	Scale	Edition
1:						AH	BKM	KK	2/2008	None	A
2:											
3:											
4:											

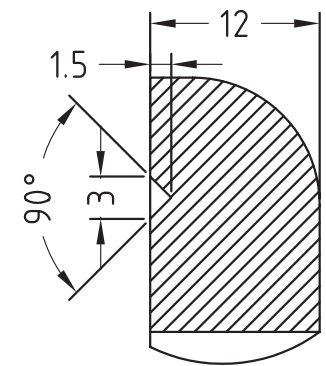
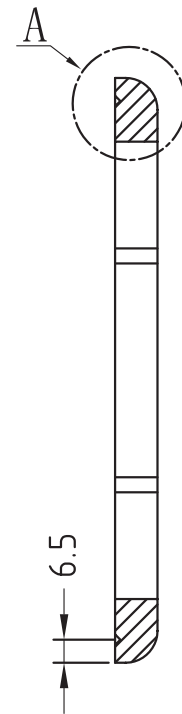


Model: MB25  
Name: Baffle for .25 ft<sup>3</sup> Cabinet  
Unit: mm  
Sheet: 2 of 3



Note:

1. Speaker frame is made of 12mm MDF
2. Frame surface treatment - semi-black lacquer
3. Covered in black speaker cloth
4. Neodymium magnet grill fasteners
5. Magnets line up with screws on baffle
6. Tolerance is  $\pm 0.2\text{mm}$



A section



© Dayton Audio® 2008

RevNo	Revision note	Date	Signature	Checked	Approved	Designed by	Checked by	Approved by	Date	Scale	Edition
1:						AH	BKM	KK	2/2008	None	A
2:											
3:											
4:											
							Model: MG25				Unit mm
							Name: Grill for .25 ft <sup>3</sup> Cabinet				Sheet 3 of 3